

| Model | Door release 1 | Microphone 2 | Earth 3 | Loudspeaker 6 | Connecting wire 4 | Switchover Electronic or buzzer Z |
|--------------------------------|---------------------------------------|-----------------|------------|------------------|----------------------|--|
| ACET | 5 | 10 | 2 | 7 | 9 | Z |
| AMBER | D | A | C | B | E | Z |
| ATEA | 2 | 4 | 3 | 1 | 5 | Z |
| AUTA TF92 (LL Electronica) | 10 | 3 | 4 | 7 | 12 | E |
| AUTELCO | P5 | a | 1 | b | 2 | Z |
| BELL SYSTEM TELEPHONE | Z | R | O | T | 1 | Z |
| BOGEN | T | 1 | 3 | 2 | 6 | Z |
| BPT | 2 | 1 | 4 | 5 | 3 | Z |
| CENTRAMATIC | 4 | 2 | 1 | 3 | 5 | Z |
| CITESA | 1 | 4 | C | 3 | B | Z |
| CITVOX | 5 | 10 | 9 | 7 | T | Z |
| COMELIT /2100 | P1 | 3 | 4 | 2 | 1 | Z |
| ELBEX | | MIC | LOW | SPEC | + | Z |
| ELVOX | 2 | 6 | 9 | 4 | + | Z |
| ELVOX | 7 | 2 | 3/4/5 | 1 | 6 | Z |
| FARFISA | 5 | 1 | 3 | 2 | 6 | Z |
| FARMAX GONDOLA | 4 | 1 | 3 | 2 | V/5 | Z |
| FERMAX REKTO TF-4 | P | A | C | B | E | Z |
| FERMAX Ref. 2044, 20440, 21100 | 1 | 2 | 3 | 6 | 4 | E |
| FRINGE | 2 | 3 | 1 | 6 | 4 | Z,E |
| GAME | P | 2 | 3 | 1 | Z | Z |
| GIRO | 2 | 3 | 1 | 6 | 4 | Z |
| GOLMAR | X | M | A | S | N | Z,E |
| GOLMAR | C2 | 5 | 3 | 10 | 7 | E |
| GOLMAR | 11 | 5 | 3 | 4 | 12 | Z |
| GOLMAR T-600 | T | 1 | 3 | 2 | 6 | Z |
| GOLMAR T-2800 | 4 | 5 | 3 | 10 | 7 | Z |
| LT TERRANEO | T1 | 1 | 3 | 2 | 6 | Z |
| OSTEL VI | 9 | 2 | 6 | 1 | 7 | Z |
| PORMAT | 4 | 3 | 2/5 | 1 | v | Z |
| RIPOLLES | 3 | 1 | 8 | 2 | 4 | Z |
| RITTO ELEGANT 40518 | 11 | 12 | 13 | 15 | 14 | E |
| SAFNAT | 4 | 1 | 2 | 3 | v | Z |
| SELTI | 5 | 1 | 3 | 2 | 6 | Z |
| SIEDLE HT-611-01 | l | 12 | 9/C | 11 | 7 | Z |
| SIEDLE HT-311 | Configuration subject to consultation | | | | | |
| SPRINT | % | 1 | 3 | 2 | 6 | Z |
| STR NH200 | 1 | M | O | T | S | Z |
| STR NH205 | 1 | M | O | T | S | E |
| SKS 2500 | 5 | 1 | 3 | 2 | 6 | Z |
| TAGRA | 8 | 2 | 6 | 1 | 4 | Z |
| TEGUI GL | 3 | 4 | 2 | 5 | 1 | Z |
| TEGUI HORIZON (Zumbador) | 3 | 4 | 2 | 5 | 1 | Z |
| TEGUI HORIZON (LL Electronica) | 3 | 4 | 2 | 5 | 1 | E |
| TELEVES | 4 | 2 | 3 | 1 | T | Z |
| TESLA DDZ 85 | 1 | 2 | 3 | 6 | 4 | Z |
| TESLA DDZ 93 | Z | 2 | 3 | 6 | 4 | Z |
| TUNE | 8 | 2 | 6 | 1 | 4 | Z |
| URMET | 8/9 | 2 | 11 | 1 | 7 | Z |
| URMET | 9 | 2 | 6 | 1 | 7 | Z |
| VIDEX | 5 | 1 | 7 | 2 | 6 | Z |
| YUS PHON | EL | T | - | R | B/PT | Z |



HT8039

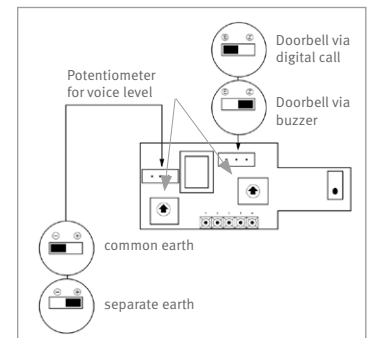
– Universal telephone: compatible with almost all 4-wire intercom systems

Dimensions: 86 x 228 x 55 mm

| Article No. | Description | EUR/pc. |
|-------------|--------------------------|---------|
| 800668 | 8039 Universal telephone | 56,55 € |

Suggested retail price in Euros, not including VAT. All dimensions given as: width x height x depth.

Jumper



Jumper J1 always has to be in minus position „-“