

300097 Basic additional speaker



Index

1	Installation	3
2	Terminal designation	3
3	Description	3
4	Technical data	3
5	Mounting instructions	4
5.1	Preparation.....	4
5.2	Mounting an flush mounted or cavity wall box	4
5.3	Surface mounting.....	5
5.4	Disassembly.....	6
5.5	Connection.....	6
6	Service	7
7	Notes	8

1 Installation



Electrical shock hazard to persons. Danger of burns, damage to device and malfunctions. Observe VDE 0100 and VDE 0800 guidelines during installation. (Germany)

Counter measures:

- Before beginning any work, deactivate and disconnect all energized electrical wires.
- Secure the switched off/ disconnected lines against erroneous reconnection.
- Use a measuring device to make sure that the wires are de energized.
- Cover up any adjacent, energized or conducting components.
- All work and all electrical connections must comply with the national provisions for the country in question and must be performed by appropriately trained personnel.



DIN VDE 0100 must be observed and complied with in devices with a 230V connection.

2 Terminal designation

Terminal	Designation
1	Positive pole speaker via diode
4	Positive pole speaker
-	Positive pole speaker

3 Description

The additional speaker is connected to a previously existing indoor station. It may be able to the following SKS indoor station series: HT4500, HT4600, HTV4600, HT925, HT926, HT7105 und HT3500.

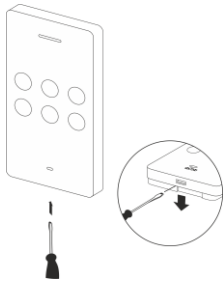
Whether the indoor station is caller from the front door or the floor door there will be the ringtone at the additional speaker.

4 Technical data

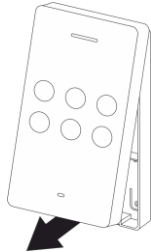
Electric data	
impedance speaker	45 Ω
General	
Ambient Temperature	-10°C to +45°C
Humidity	20% to 90% not condensing
Housing	Plastichousing
Dimensions (width x height x depth)	80 x 150 x 13 mm
Type	IP20

5 Mounting instructions

5.1 Preparation



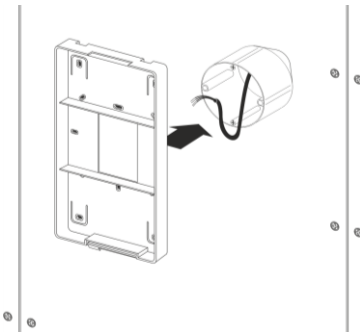
Use a screwdriver to release the additional speaker from its supporting frame. This is done by inserting the screwdriver into the release opening at the bottom of the additional speaker.



Carefully remove the additional speaker from the support frame as shown in the drawing.

 Pull the lower part of the additional speaker towards you and carefully lift it upwards.

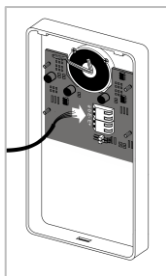
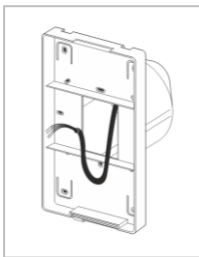
5.2 Mounting an flush mounted or cavity wall box



We recommend installing a flush-mounted or cavity wall box before mounting the supporting frame so that it is possible to use the screws to attach the supporting frame to the flush-mounted or cavity wall box. Use the fastening holes in the center area of the supporting frame for this installation.

We recommend additional fixation of the supporting frame with screws in all four corners of the device.

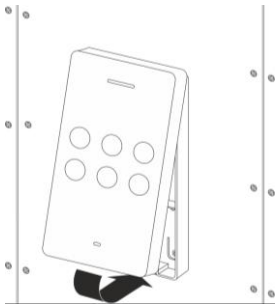
Pay particular attention to the installation cable when mounting the supporting frame!



Connect the terminals to the previously installed cable. The terminals are located at the back of the additional speaker.

The pre-assembled cables are then connected to the additional speaker.

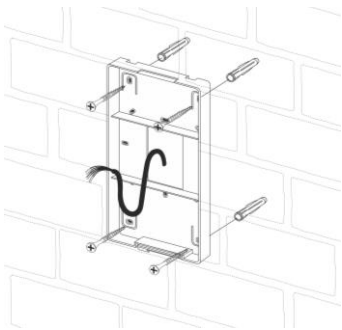
To avoid errors when connecting cables please use the planning guide or the wiring diagram.



Remount the additional speaker in the upper part of the supporting frame.

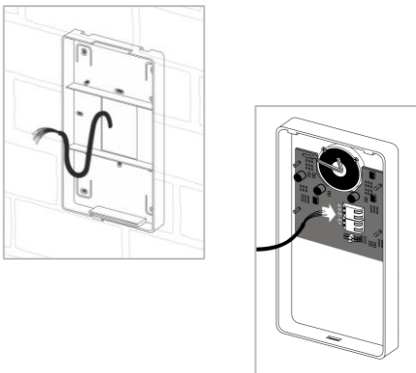
Subsequently press the additional speaker into the frame until it clicks into place.

5.3 Surface mounting



Using the screws attach the supporting frame of the 300098 BUS bell to the wall. Please use the fastening holes provided on the supporting frame.

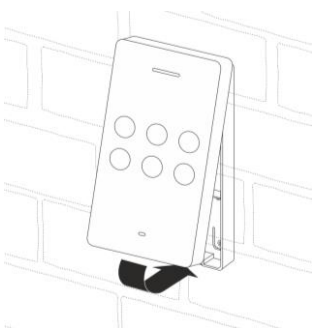
Pay particular attention to the installation cable when mounting the supporting frame!



Connect the terminals to the previously installed cable. The terminals are located at the back of the additional speaker.

The pre-assembled cables are then connected to the additional speaker.

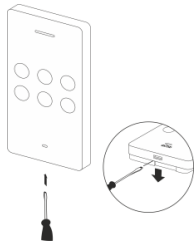
To avoid errors when connecting cables please use the planning guide or the wiring diagram.



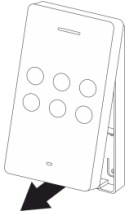
Remount the additional speaker in the upper part of the supporting frame.

Subsequently press the additional speaker into the frame until it clicks into place.

5.4 Disassembly



Use a screwdriver to release the additional speaker from its supporting frame. This is done by inserting the screwdriver into the release opening at the bottom of the additional speaker.



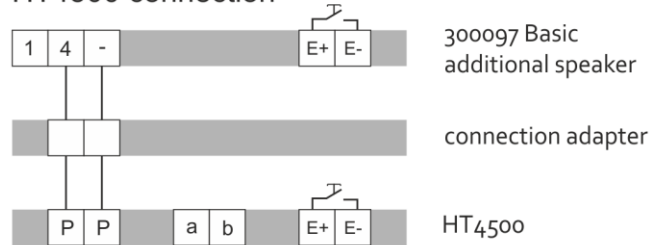
Carefully remove the additional speaker from the support frame as shown in the drawing.
 Pull the lower part of the additional speaker towards you and carefully lift it upwards.

5.5 Connection

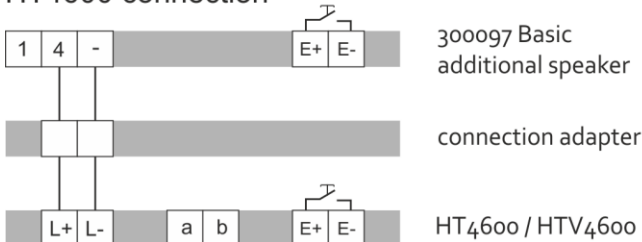
HT3500 connection



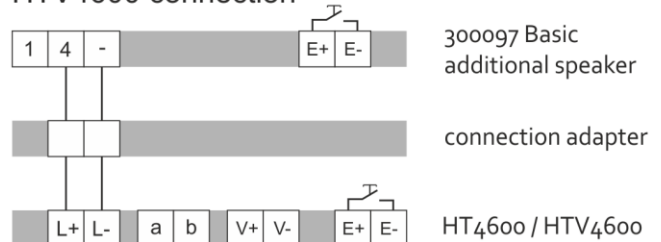
HT4500 connection



HT4600 connection



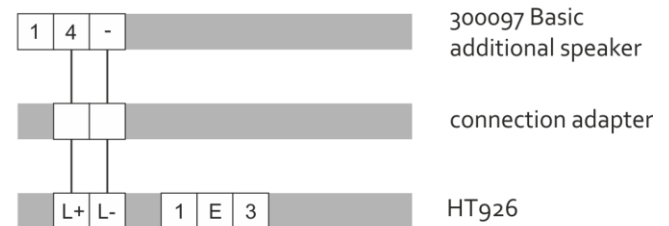
HTV4600 connection



HT925 connection



HT926 connection



6 Service

Statutory provisions for warranty shall apply. (See general terms and conditions in the appendix or the internet at www.sks-kinkel.de/agb/).

Warranty

Our customers and electricians are offered a simplified settlement process of the warranty claim. For more information on this please refer to the terms and conditions on our internet page or contact the SKS support hotline.

Disposal instructions



Do not dispose of the device with the regular household refuse but take it to a collection point for electronic scrap. The respective collection point is provided by the municipal administration in the area.

By separately disposing of electrical and electronic devices you will allow for the reuse, renewing and recycling of materials and used appliances and equipment. At the same time this separation shall prevent negative effects of the possibly existing dangerous substances and materials on the environment and public health. Dispose of the packaging in the respective separate containers for cardboard, paper and plastics.

The products comply with the regulatory requirement, in particular with electrical and electronic equipment act and the REACH-regulation.(EU- guideline 2012/19/EU WEEE and 2011/65/EU RoHS). EU-REACH- regulation and the law implementing regulation (EG) Nr.1907/2006).

Care instructions

Please just clean the device unit with a soft cloth, moistened with a mild soap solution. Dry cleaning, aggressive detergents and abrasives may damage the surface.

Liability disclaimer

We have checked the content of this document to verify that it corresponds to the hard- and software described herein. There may, however, be deviations and SKS-Kinkel GmbH may not be held liable for a lack of conformity. The information in this document is checked regularly and necessary changes are made in subsequent issues.

Service and support

Our support team provides practical assistance and advice. SKS support may be reached via email or phone. When contacting us please provide an exact description of the fault, the project name your name and your customer ID.

We provide the following options:



SKS-Support Hotline

+49 (0) 2661 98088-112

SKS-Support E-Mail

support@sks-kinkel.de

Support is exclusively provided for electricians, architects or planning offices. End customers are asked to contact their electrician.

Address



SKS-Kinkel Elektronik GmbH, Im Industriegebiet 9, 56472 Hof/ Westerwald
Tel.: +49 2661 980 88-0, Fax: +49 2661 980 88 200
E-Mail: [s-kinkel.de](mailto:info@sks-kinkel.de, <a href=)

7 Notes